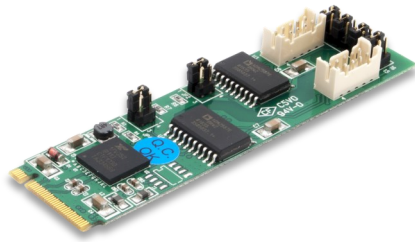
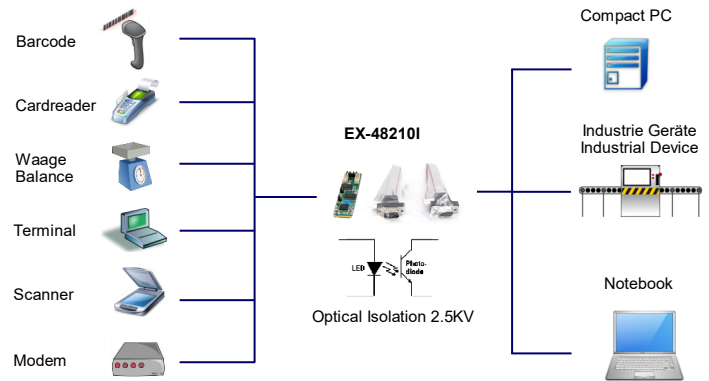


Bild / Picture



Anwendung / Application



2S Seriell RS-422/485 M.2 Karte 2.5KV Optischer Isolation (Exar Chip-Set)

2S Serial RS-422/485 M.2 card 2.5KV Optical Isolation (Exar Chip-Set)

Beschreibung

Description

Die EX-48210I RS-422/485 M.2 Karte ist eine interne Erweiterungskarte mit 2.5KV Optischer Isolation für Kompakt PC, Industrielles Einsatzgebiet, Mainboards und Notebooks. Anstelle der mSATA Schnittstelle wurde der M.2 Bus entwickelt und unter der Bezeichnung Next Generation Form Factor (NGFF) eingesetzt. Die EX-48210I unterstützt zwei serielle RS-422 oder 485 High Performance UART 16C550 Ausgänge. Sie ist entwickelt worden um zwei weitere Serielle Ports über den M.2 (NGFF) Bus zu erweitern. Mit der EX-48210I werden zwei Flachbandkabel mit 9 Pin Stecker zur Befestigung am Gehäuse des Gerätes mitgeliefert.

The EX-48210I RS-422/485 M.2 card is an internal expansion card with 2.5KV Optical Isolation for compact PCs, industrial applications, mainboards and notebooks. Instead of the mSATA interface, the M.2 bus was developed and used under the name Next Generation Form Factor (NGFF). The EX-48210I supports two serial RS-422 or 485 high performance UART 16C550 outputs. It has been developed to extend two more serial ports via the M.2 (NGFF) bus. The EX-48210I comes with two ribbon cables with 9 pin connectors for mounting on the housing of the device.

Merkmale

Features

<ul style="list-style-type: none"> Schnittstelle: RS-232 V.24 	<ul style="list-style-type: none"> Interface: RS-232 V.24
<ul style="list-style-type: none"> 2.5KV Optische Isolation 	<ul style="list-style-type: none"> 2.5KV Optical Isolation
<ul style="list-style-type: none"> M.2 NGFF (Key A) Stecker 	<ul style="list-style-type: none"> M.2 NGFF (Key A) connector
<ul style="list-style-type: none"> PCI Express 2.0 Gen 1 konform 	<ul style="list-style-type: none"> PCI Express 2.0 Gen 1 compliant
<ul style="list-style-type: none"> ±15kV IEC1000-4-2 ESD Schutz für RS232 I/O's 	<ul style="list-style-type: none"> ±15kV IEC1000-4-2 ESD protection for RS232 I/O's
<ul style="list-style-type: none"> FIFO Buffer: 16C550 mit 256Byte 	<ul style="list-style-type: none"> FIFO Buffer: 16C550 with 256Byte
<ul style="list-style-type: none"> I/O Adressen und Interrupt: werden vom Betriebs System vergeben 	<ul style="list-style-type: none"> I/O addresses and Interrupt: Set from the operating system
<ul style="list-style-type: none"> Daten Bits: 5, 6, 7 und 8 / Stop Bits: 1, 1.5, 2 	<ul style="list-style-type: none"> Data Bits: 5, 6, 7 and 8 / Stop Bits: 1, 1.5, 2
<ul style="list-style-type: none"> Parity: none, even, odd, space, mark 	<ul style="list-style-type: none"> Parity: none, even, odd, space, mark
<ul style="list-style-type: none"> Flow Control: RTS/CTS, XON/XOFF 	<ul style="list-style-type: none"> Flow Control: RTS/CTS, XON/XOFF
<ul style="list-style-type: none"> Signale RS-422: - 4 Draht (TXD+/-, RXD+/-) Fullduplex RS-485: - 4 Draht (TXD+/-, RXD+/-) Fullduplex RS-485: - 2 Draht (Data-, Data+) Halfduplex 	<ul style="list-style-type: none"> Signal RS-422: - 4 Draht (TXD+/-, RXD+/-) Fullduplex RS-485: - 4 Draht (TXD+/-, RXD+/-) Fullduplex RS-485: - 2 Draht (Data-, Data+) Halfduplex

System / OS

Geprüft / Approved

Verpackung / Packaging



Spezifikation

Specification

Chip-Set:	Exar 17V352	Chip-Set:	Exar 17V352
Datentransfer-Rate:	300 Baud bis 921.6KBaud	Data transfer rate:	300 Baud up to 921.6KBaud
Anschlüsse:	2 x 9 Pin Seriell RS-422/485 Stecker (Slot-Kabel)	Connectors:	2 x 9 pin serial RS-422/485 male connector
Hardwaresysteme:	M.2 NGFF Bus mit A-Key	Hardware system:	M.2 NGFF Bus with a-Key
Treiber:	Win XP/ 200x/ Vista/ 7/ 8.x/ 10 (32&64-Bit) Linux 2.6 / QNX 6.0	Driver:	Win XP/ 200x/ Vista/ 7/ 8.x/ 10 (32&64-Bit) Linux 2.6 / QNX 6.0
Betriebssysteme:	Gemäß Treiber	Operating systems:	In accordance with driver
Betriebstemperatur :	0°C bis +55°C Celsius	Operating temperature :	32°F up to 131°F Fahrenheit
Lagertemperatur:	-40°C bis +75°C Celsius	Storage temperature:	-40°F up to 167°F Fahrenheit
Rel. Luftfeuchtigkeit:	5% bis 95%	Rel. Humidity:	5% to 95%
Abmessung:	80.00 x 22.00 mm	Size:	80.00 x 22.00 mm
Gewicht:	200 g	Weight:	200 g
EAN:	4718359482144	EAN:	4718359482144
Ursprungsland:	Taiwan	Country of origin:	Taiwan
Lieferumfang:	EX-48210I, 2 x Slot Kabel, Treiber CD, Handbuch	Packaging contents:	EX-48210I, 2 x Slot cable, Driver CD, Manual

Bilder / Picture

